

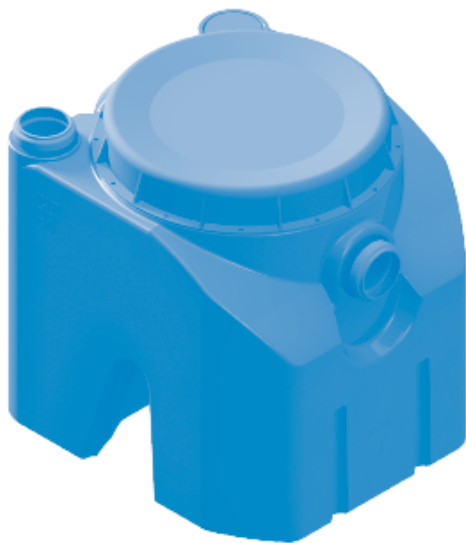
9050

11.19

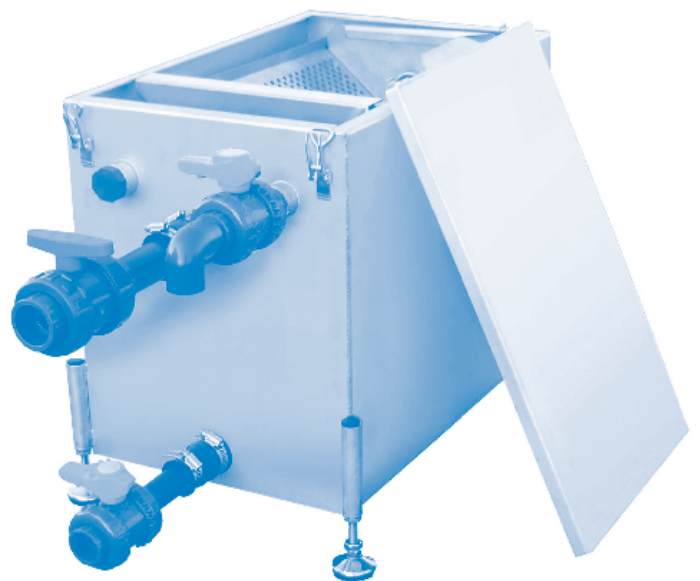
SFA

SANIGREASE T

SANIGREASE T 24



SANIGREASE T 40
SANIGREASE T 60
SANIGREASE T 80
SANIGREASE T 100



- Ⓡ **FR** Notice de service/montage • Bac à graisses
- Ⓡ **EN** Operating/installation manual • Grease separator
- Ⓡ **DE** Bedienungs-/Installationsanleitung • Fettabscheider
- Ⓡ **ES** Manual de funcionamiento • Separador de grasas
- Ⓡ **IT** Manuale per l'uso e l'installazione • Vasca condensagrassi
- Ⓡ **NL** Gebruikers-/installatiehandleiding • Vetafscheider
- Ⓡ **PT** Manual de instalação/utilização • Separador de gorduras

CONTENTS

1. SAFETY	9
2. TRANSPORT / TEMPORARY STORAGE	9
2.1 Receiving inspection and stockage	9
2.2 Handling	9
3. DESCRIPTION	9
3.1 Operating principle	9
3.2 Queries and orders.....	10
3.3 Technical data.....	10
3.4 Range of application.....	10
3.5 Equipment (SANIGREASE T 40/60/80/100).....	11
4. INSTALLATION	11
4.1 SANIGREASE T 24	11
4.2 SANIGREASE T 40/60/80/100	11
5. COMMISSIONING	12
5.1 First commissioning	12
5.2 Operator information	12
5.3 Delivery of the operating instructions to the operator	12
5.4 Operational delivery	12
6. MAINTENANCE	12
6.1 SANIGREASE T 24	12
6.2 SANIGREASE T 40/60/80/100	13
7. GUARANTEE	13
8. DIMENSIONS	13
8.1 SANIGREASE T 24	13
8.2 SANIGREASE T 40/60/80/100	14





1. SAFETY

These operating instructions contain basic instructions which have to be observed during set-up, operation and maintenance. For this reason, these operating instructions must by all means be read before installation and commissioning by the installation technician as well as by the competent specialist staff / user, and must be permanently available at the location of the device.

Not only the general safety instructions mentioned in this main point on safety have to be observed, but also the special safety instructions mentioned in the other main points, for example for private use.

If the instructions of the operation manual – especially the safety instructions - are not observed, or in case of unauthorized modifications of the plant or the installation of non-original spare parts, the guarantee expires automatically. The manufacturer assumes no liability for damages resulting from such behaviour!

IDENTIFYING THE WARNING SIGNS

	<p>Danger This term defines a high risk of danger, which can lead to death or serious injury, if not avoided.</p>
	<p>Warning This term defines a hazard which could cause a risk to the machine and its operation, if it is not taken into account.</p>
	<p>Dangerous area This symbol, in combination with a keyword, characterises hazards that could lead to death or injury.</p>
	<p>Property damage This symbol, in combination with the keyword WARNING, characterises dangers to the machine and its proper operation.</p>

2. TRANSPORT / TEMPORARY STORAGE

IMPORTANT : PLEASE READ CAREFULLY WHEN YOU RECEIVE THE DEVICE!

2.1 RECEIVING INSPECTION AND STOCKAGE

- Check that the appliance casing has no visible damage. In case of any damage, provide details on the carrier's delivery note.
- Store the appliance away from potential knocks. Do not allow rainwater to get inside.
- The temperature inside the appliance must never go above 30°C.

2.2 HANDLING

Before handling, pump out any residual water every time.

3. DESCRIPTION

3.1 OPERATING PRINCIPLE

SANIGREASE T is a grease separator that treats used water by separating fats and settled substances from residual water from mobile washing appliances (SANIGREASE T 24) or from restaurants and collective kitchens (SANIGREASE T 40/60/80/100).

 **AVERTISSEMENT**


Perform the emptying procedure according to the instructions!
See 6. Maintenance, pg. 6. Maintenance

 **DANGER**

! Observe the accident prevention instructions !

3.2 QUERIES AND ORDERS

Please send your queries and orders to your specialist dealer.

3.3 TECHNICAL DATA

	T 24	T 40	T 60	T 80	T 100
Inlet	DN 50	DN 32	DN 32	DN 50	DN 50
Discharge	DN 50	DN 32	DN 32	DN 50	DN 50
Drain	-	DN 25	DN 25	DN 25	DN 25
Dredger capacity (L)	8	-	-	-	-
Total volume (L)	24	39	53	67	82
Weight (kg)	4	26	29	36	40
Tank material	Polyethylene	Stainless steel	Stainless steel	Stainless steel	Stainless steel

3.4 RANGE OF APPLICATION

SANIGREASE T 24

The system is designed for waste from mobile washing appliances, such as:

- Mobile food stands;
- Standalone dishwasher;
- Occasional food preparation.

Suitable for use with a commercial dishwasher with:

- a minimum rinse time of 1.5 minutes and a switch time of half a minute, making a 2-minute cycle;
- rinse water consumption of 5 L.

In addition to the dishwasher, it is possible to connect an additional device for pre-washing the dishes (for short periods of operation).

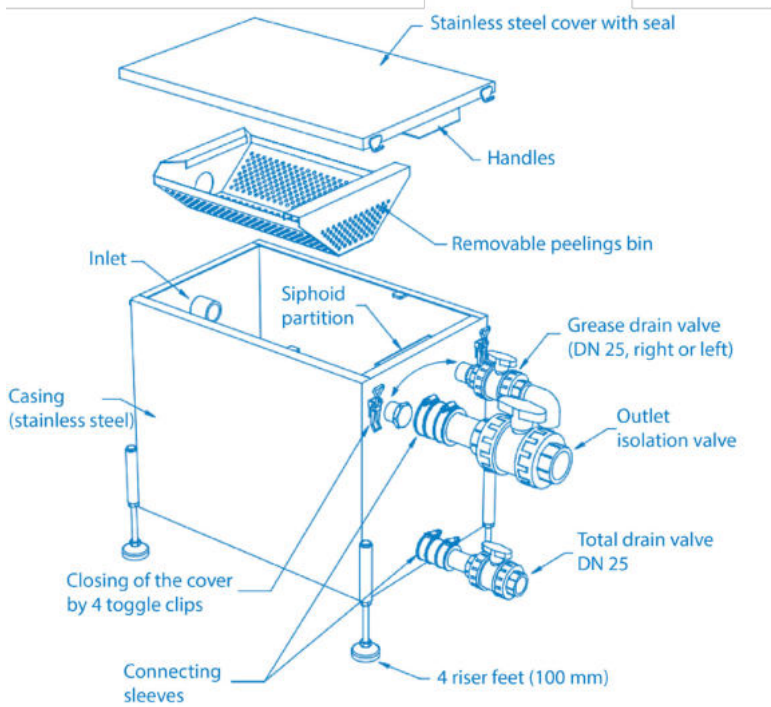
SANIGREASE T 40/60/80/100

The appliance has been designed specifically to retain macro-waste (thanks to its "peelings" bin) and grease from meal preparation. Perfect for washing-up in restaurants, it prevents water contamination and contact with draining pipes.

DETERMINATION :

Product	Number of meals/service	Number of sinks connected
SANIGREASE T 40	1 à 40	1
SANIGREASE T 60	41 à 60	1 à 2
SANIGREASE T 80	61 à 80	1 à 3
SANIGREASE T 100	81 à 100	1 à 3

3.5 EQUIPMENT (SANIGREASE T 40/60/80/100)

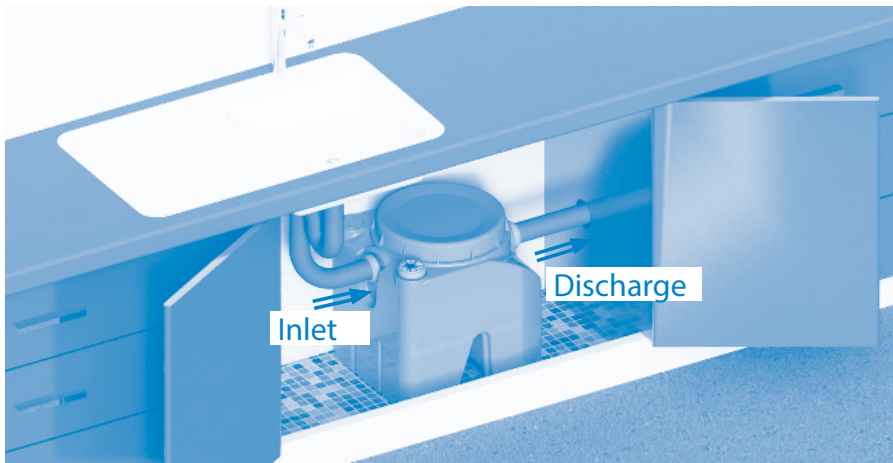


4. INSTALLATION

The grease separator must be positioned between the used water drain and the drainage point for the overall drainage network.

4.1 SANIGREASE T 24

The inlet and discharge must be connected as shown in the illustration:



4.2 SANIGREASE T 40/60/80/100

Connect the appliance directly to the exit pipe of the kitchen washing-up machine(s).



5. COMMISSIONING

5.1 FIRST COMMISSIONING

- Before commissioning, thoroughly clean the system:
 - Drain the content if necessary.
 - Be careful when removing coarse and solid substances from inside the appliance.
 - Clean the tank.
 - Clean the inlet and discharge.
- Then fill the grease trap with cold water until the system is drained.
- Ensure the watertightness of the system and the pipes, as well as checking for leaks, transportation and installation damage.

Before filling the system with used greasy water, provide the user with clear directions for use and refilling the appliance.

5.2 OPERATOR INFORMATION

- Information on the operation of a separation system;
- information on the operation of the device;
- practical demonstration of the system's operation;
- information on possible sources of danger;
- removal of the separator content (practical or theoretical demonstration).

5.3 DELIVERY OF THE OPERATING INSTRUCTIONS TO THE OPERATOR

5.4 OPERATIONAL DELIVERY

Once the explanations/demonstrations are complete, restore the grease trap to working order, i.e. completely fill the installation with cold water.

6. MAINTENANCE

AVERTISSEMENT



Grease separators can easily develop bad odours.

► It is essential to ventilate the pipes in both directions according to the EN1825-2 standard.

AVERTISSEMENT



Follow local legislation for the disposal of contents.

TO MAINTAIN THE APPLIANCE, DRAIN AND CLEAN THE DIFFERENT COMPARTMENTS.

6.1 SANIGREASE T 24

Daily cleaning

- Open the cover.
- Skim the grease sitting on the surface.
- Collect the grease in an odourless container and dispose of it as appropriate.

IMPORTANT:

- **SKIM AS MANY TIMES A DAY AS NEEDS ACCORDING TO USAGE.**
- **THE GREASE TRAP MUST BE COMPLETELY EMPTIED AND CLEANED AFTER USE, AND AT LEAST ONCE A WEEK.**

Weekly maintenance

- Check for leaks.
- Remove the cover.
- Skim off and remove accumulated grease.
- Completely empty the grease separator.
- Thoroughly clean the inside walls of the SANIGREASE T with hot water.
- Keep the designation and registration details of the hydraulic connections completely legible.

6.2 SANIGREASE T 40/60/80/100

Weekly cleaning

- Remove the cover.
- Skim the grease sitting on the surface.
- Clean the "peelings" bin.
- Replace the cover.

IMPORTANT : CARRY OUT DAILY UPKEEP IF THE LOAD PROCESSED BY THE APPLIANCE IS SIGNIFICANT.

Monthly maintenance

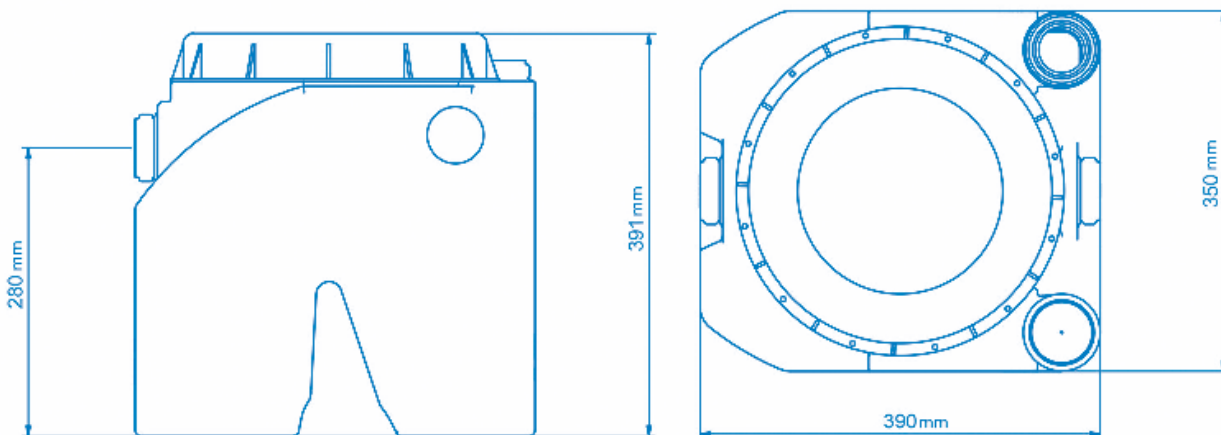
- Remove the cover.
- Connect the drain valve to a pipe.
- Skim the grease sitting on the surface.
- Drain the SANIGREASE T contents into the ground siphon, with the help of the drain sluice.
- Close the drain valve.
- Thoroughly clean the walls of the SANIGREASE T with hot water.
- Refill the SANIGREASE T with water until full.
- Replace the cover.
- Remove the pipe from the drain valve.

7. GUARANTEE

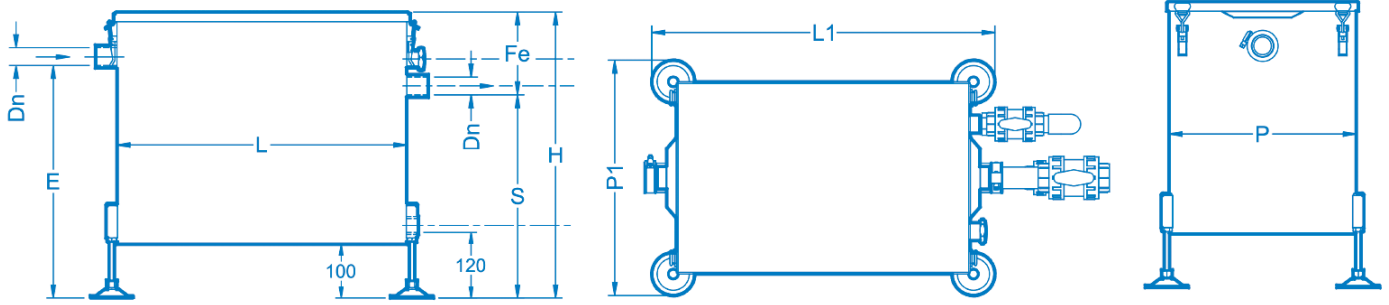
SANIGREASE T is guaranteed for 2 years for parts and labour, subject to correct installation and use of the unit.

8. DIMENSIONS

8.1 SANIGREASE T 24



8.2 SANIGREASE T 40/60/80/100



Product	L (mm)	L1 (mm)	P (mm)	P1 (mm)	H (mm)	E (mm)	S (mm)	Fe (mm)	Dn
SANIGREASE T 40	480	550	350	420	484	385	330	154	32
SANIGREASE T 60	540	610	350	420	534	435	380	154	32
SANIGREASE T 80	640	710	350	420	574	453	400	174	50
SANIGREASE T 100	730	800	350	420	594	473	420	174	50

Service information : www.sfa.biz

SERVICE HELPLINES

France

Tel. 01 44 82 25 55
Fax. 03 44 94 46 19

United Kingdom

Tel. 08457 650011
(Call from a land line)
Fax. 020 8842 1671

Ireland

Tel. 1850 23 24 25
(LOW CALL)
Fax. + 353 46 97 33 093

Australia

Tel. +1300 554 779
Fax. +61.2.9882.6950

Deutschland

Tel. 0800 82 27 82 0
Fax. (060 74) 30928-90

Italia

Tel. 0382 6181
Fax. +39 0382 618200

España

Tel. +34 93 544 60 76
Fax. +34 93 462 18 96

Portugal

Tel. +35 21 911 27 85
sfa@sfa.pt

Suisse Schweiz Svizzera

Tel. +41 (0)32 631 04 74
Fax. +41 (0)32 631 04 75

Benelux

Tel. +31 475 487100
Fax. +31 475 486515

Sverige

Tel. +08-404 15 30

Norge

Tel. +08-404 15 30

Polska

Tel. (+4822) 732 00 33
Fax. (+4822) 751 35 16

РОССИЯ

Tel. (495) 258 29 51
Fax. (495) 258 29 51

Česká Republika

Tel. +420 266 712 855
Fax. +420 266 712 856

România

Tel. +40 724 364 543
service@saniflo.ro

Türkiye

Tel. +90 212 275 30 88

Brazil

Tel. (11) 3052-2292

中国

Tel. +86(0)21 6218 8969
Fax. +86(0)21 6218 8970

South Africa

Tel. +27 (0) 21 286 00 28